

IP SPEED DOME CAMERA

SMART
UPnP



IP-ST710

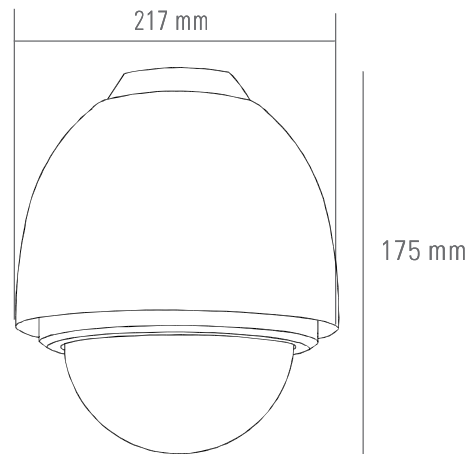
- ▶ Smart UPnP
- ▶ Support 3GPP function
- ▶ Outdoor housing: waterproof with heater and fan
- ▶ SONY Exview CCD
- ▶ 540 TVL HIGH Resolution
- ▶ 0.002 Lux Minimum Illumination
- ▶ 23x Optical Zoom, 10x Digital Zoom
- ▶ Auto mechanical IR cut
- ▶ Pan & Tilt speed proportional to zoom ratio
- ▶ High speed Pan 400°/sec, Tilt 330°/sec
- ▶ Auto flip
- ▶ Auto cruise
- ▶ 128 preset points
- ▶ Alarm I/O (4 in / 1 out)
- ▶ IR remote controller
- ▶ RS-485 parallel link max. 256 units



* 120 sets of ST series speed dome cameras are already used in the Taipei MRT stations



* 656 sets of SN series speed dome cameras are already used in the trains of Taipei MRT



IP SPEED DOME CAMERA

► SPECIFICATIONS

Housing	Outdoor
Model No. (375°Rotation)	NT-ST710-P
Image sensor	1/4" color SONY, Exview CCD (Day & Night)
TV Lines	540 TVL
Effective Pixels	NTSC : 410K Pixel / PAL : 470K Pixel
Sensitivity	0.1 Lux (Color) / 0.02 Lux (B/W) / 0.002 Lux (SU)
Lens	F 3.6~82.8mm / F 1.6~3.8
Zoom	23x optical zoom, 10x digital zoom
S/N Ratio	50dB (AGC OFF)
IR-Cut Filter	Auto / Manual
Focus	Auto / Manual
Electronic shutter	NTSC:1/60 ~ 1/100,000 Sec. / PAL:1/50 ~ 1/100,000 Sec.
Video output	1.0 Vp-p, 75ohm
Gain Control	Super AGC 0 ~ 36dB
White Balance	ATW 2500 ~ 9500°K Preset / Manual
Back Light Control	Super BLC / 48 zone BLC
Function setup	OSD Menu
Rotation mode	Auto Pan Feature / Preset Position Patrol / Auto-Flip
Rotation angle	Horizontal Pan 0° ~ 375° / Vertical Tilt 0° ~ 90°
Rotation speed	Horizontal Pan 400°/sec / Vertical Tilt 330° /sec
Speed setting	Auto: Approx. 2.5~60./sec(Variable), Manual: Approx. 2.5~160./sec(Variable), Preset: Max. 320./sec
Stop duration	5 ~ 255 Sec (Variable)
Alarm I/O	4 inputs / 1 output
Preset points	128 Points
Control interface	Infrared Remote Controller + RS-485 Control
Parallel link (RS485)	Max. 256 units
Protocols	Neotech-A, PELCO-D 2400, PELCO-P 4800, PELCO-P 9600
Power Supply	DC13.5V / 2.5A above
Operation Temperature	Operating: -10~ 60°C, Storage:-30~70°C, Humidity:0~95%RH
Fan / Heater	Fan:On 40°C, Off 30°C, Heater:On -5°C, Off +5°C
Ethernet	10/ 100 Base-T
Network Protocol	HTTP, TCP/IP, UDP, RTSP/RTP/RTCP, SMTP, FTP, DNS,PPPoE, DHCP, DDNS, NTP
uPNP	YES
Video resolution	NTSC:720x480, 352x240, 176x120, PAL: 720x576, 352x288, 176x144
Video Frame rate	NTSC: 30fps, PAL : 25fps
Image snapshot	YES
Compression format	MPEG-4 / M-JPEG dual stream
Motion Detection	YES
Triggered action	Mail, FTP
Security	Password Protection
3GPP (Mobile Surveillance)	YES, Support ID login mode
Operating System	Windows 2000, XP, Vista
Internet Browser	Microsoft IE 6.0 or above (7.0)
Material	Aluminum alloy IP66 waterproof casing
Dimensions(mm)	217(L)x217(W)x175(H)
Weight	Apporx 3.4Kg