

# JPEG2000 DVR T2 MODEL

STAND ALONE

## Dual Codec JPEG2000 + H.264



### ▶ FEATURES

- ▶ Dual Hardware codec
  - JPEG2000 : Recording & Playback
  - H.264 : Transmission Via network
- ▶ 4 channel DVR 240(200)fps recording capability
- ▶ 8, 16 channel DVR 480(400)fps recording capability
- ▶ 4 channel audio recoding
- ▶ Triplex (Playback / Recording / Network)
- ▶ Multi Languages OSD
- ▶ IR Remote Controller
- ▶ VGA output (for LCD Monitor)
- ▶ Jog-shuttle for convenience search
- ▶ USB(Device) port for firmware upgrade
- ▶ USB2.0(Host)/CD-RW/DVD-RW for back up
- ▶ Easy PTZ camera control by front panel buttons
- ▶ Remote viewer via network
- ▶ H.264 compression for high speed transmission
- ▶ Supports DDNS (Dynamic Domain Name Server)
- ▶ Supports Central monitoring system (CMS)
- ▶ Operate by front panel, mouse and remote controller

### Compare the picture quality

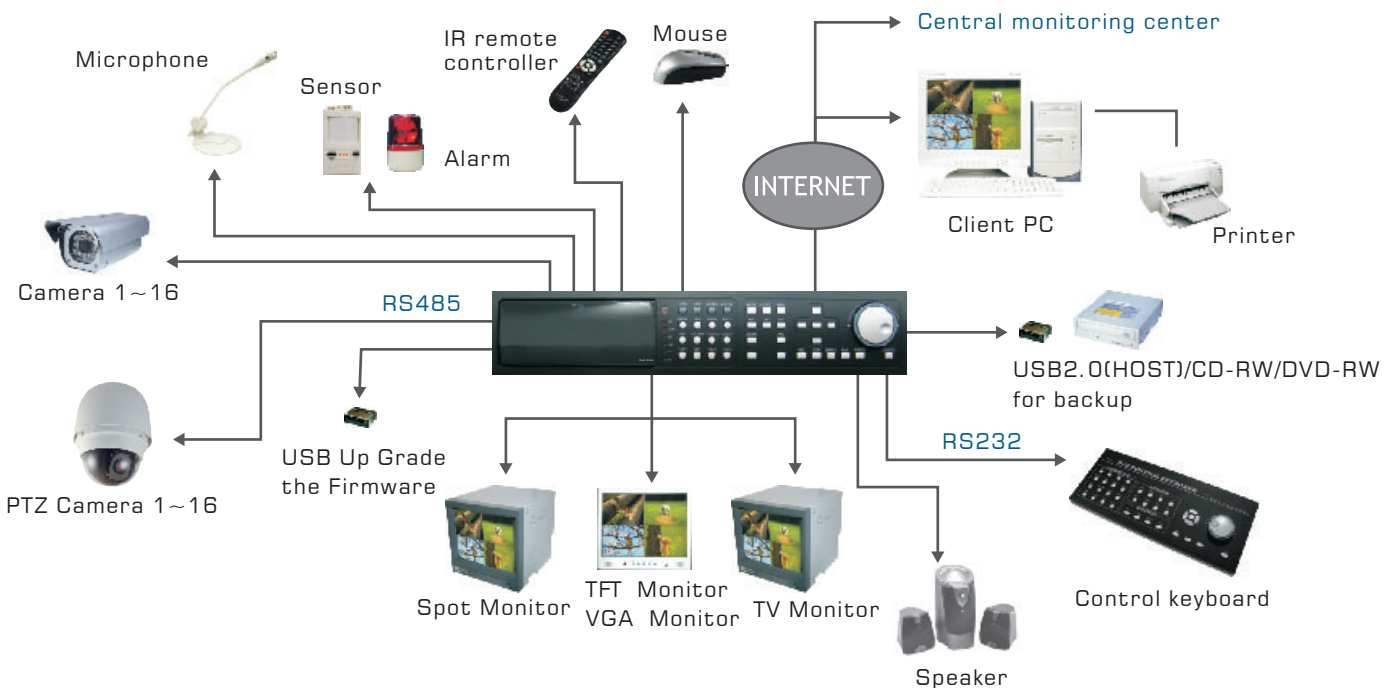


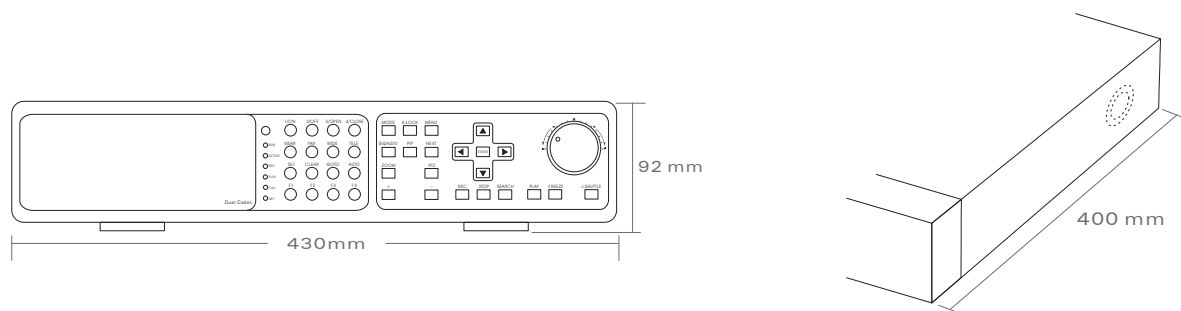
JPEG2000 DVR



Other's DVR

### ▶ SYSTEM CONFIGURATION





### ► SPECIFICATIONS

Model Number	J2000D-04T2	J2000D-08T2	J2000D-16T2
Compression	JPEG2000 : Recording & Playback / H.264 : Transmission Via network		
Storage Capacity	2 SATA HDDs		
VGA(Option)	1CH (Supporting TFT LCD Monitor )		
Video Input	4CH	8CH	16CH
Video Output	Monitor / Spot Monitor		
Audio	Input: 4CH, Output:1CH		
Split Screen	Full screen, Quad display	1,4,6,8,9 split	1,4,6,8,9,13,16 split
Compressed Rate	Low, Mid, High, Super, Hyper		
Recording Speed	NTSC	60fps(Full), 120fps(Dual), 240fps(Quad)	120fps(Full), 240fps(Dual), 480fps(Quad)
	PAL	50fps(Full), 100fps(Dual), 200fps(Quad)	100fps(Full), 200fps(Dual), 400fps(Quad)
Recording Resolution	Full (720x240 / 720x288), Dual(360x240/ 360x288), Quad(360x120 / 360x144)		
Display	Real time for all channel		
Simplex/Duplex/Triplex	Triplex (Playback / Recording / Ethernet)		
Zoom	Available		
PIP	Available		
Motion Detect	Area division : 16x12		
Recording Mode	Time, Motion, Schedule, Alarm, Emergency		
Search Mode	Percentage Search, Date/ Time Search, Event Search		
Password Protection	Admin, Manager, User1~8 Allowed to access the system		
Alarm Input	4 Alarm ( NO/NC)	8 Alarm ( NO/NC)	16 Alarm ( NO/NC)
Relay Output	1 (NO/NC)		
Backup	USB2.0(HOST), CD-RW or DVD-RW, Download via IP Network, VCR back-up		
IR Remote Controller	Built-in		
Network (TCP/IP)	Remote Software( Remote live view, playback, and save as AVI), IE( Remote live view, backup, and save backup to AVI), Two users access is available, High speed transmission		
CMS	Available		
Firmware upgrade	CD-RW / DVD-RW / USB(DEVICE) for firmware upgrade		
Operation Temperature	41°F~104°F (5°C~40°C)		
Operation Humidity	Less than 90%		
Dimension(mm)	430(W) x 400(D) x 92(H)		
Weight(N.W)	Approx 7.5 kgs (W/O HDD)		Approx 8 kgs (W/O HDD)
Power Supply	DC Adapter(12V DC 6.5A above)		